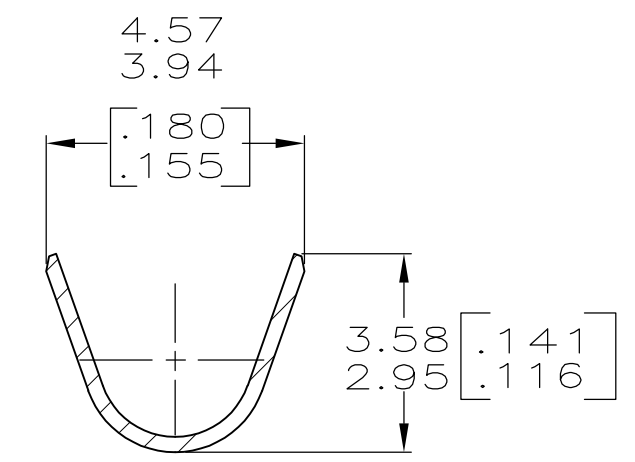
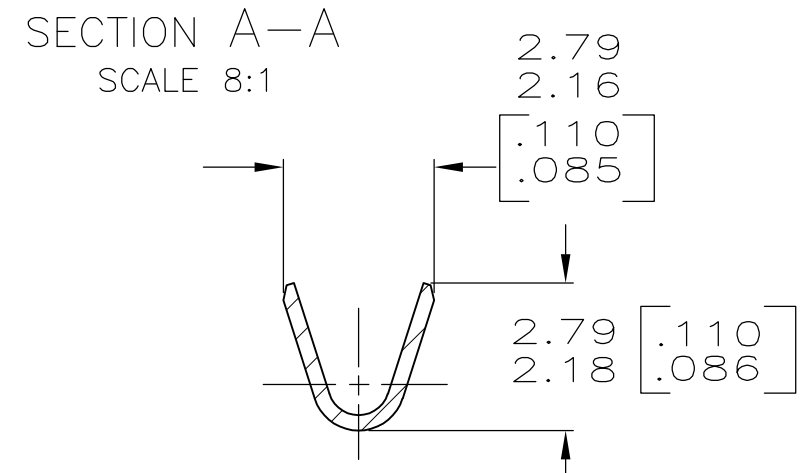
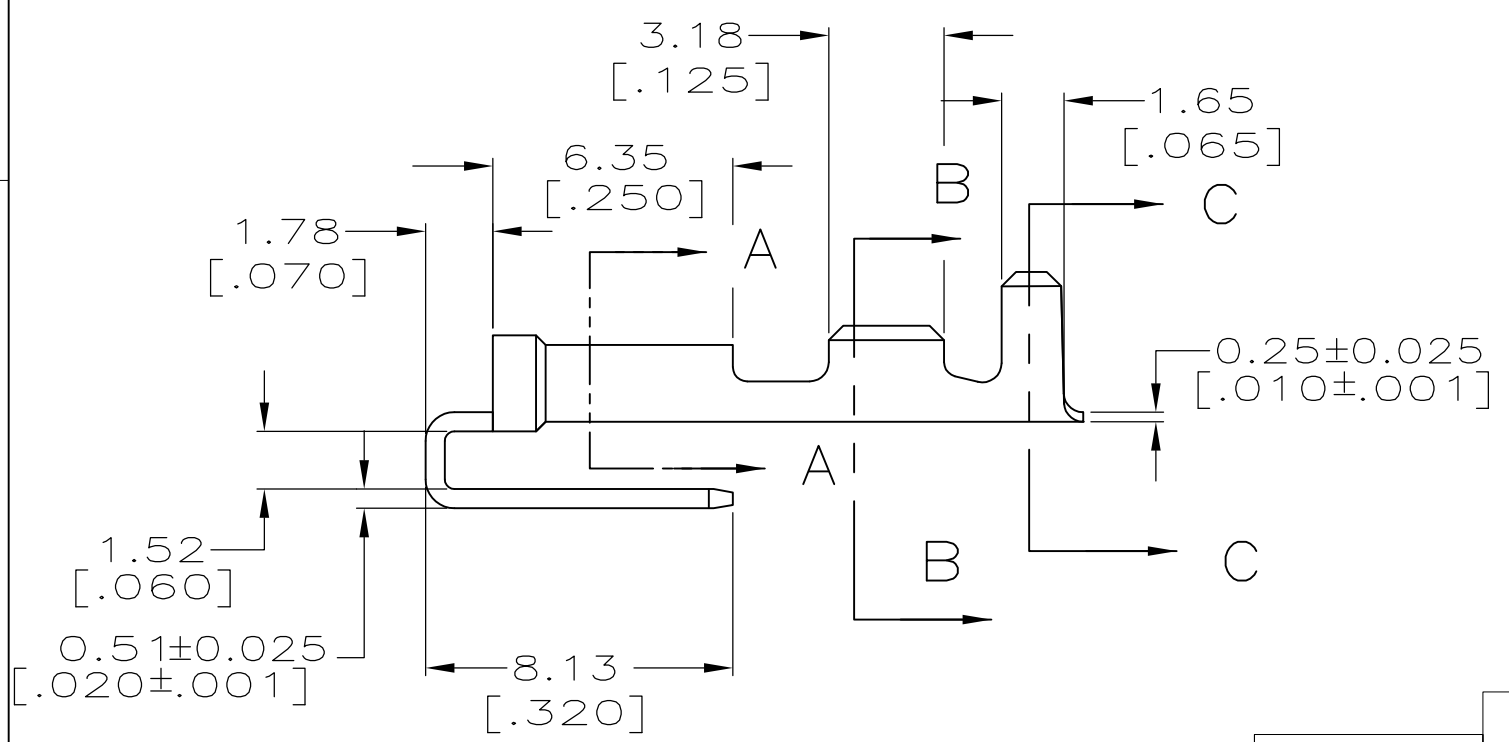
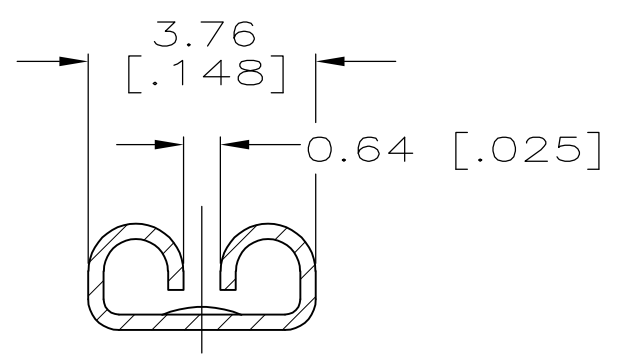
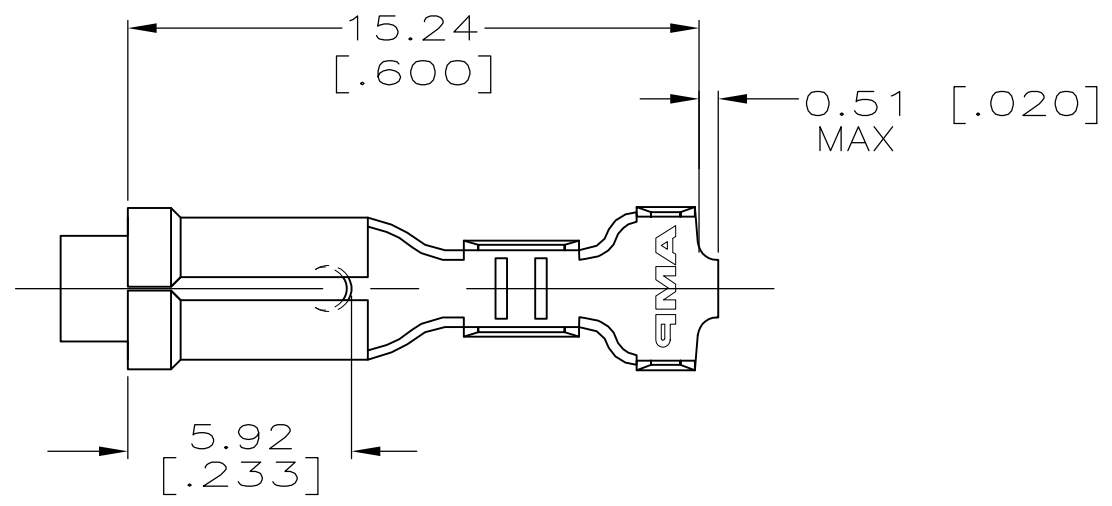


THIS DRAWING IS UNPUBLISHED. RELEASED FOR PUBLICATION
 © COPYRIGHT - By - ALL RIGHTS RESERVED.

LOC	DIST	REVISIONS			
P	LTR	DESCRIPTION	DATE	DWN	APVD
AF	50				
	C	REVISED PER ECR-12-013459	27NOV2012	KH	PD

- 1 SUPPLIED IN LOOSE PIECE.
- △ 2 TIN
- 3 REF STRIP BASE P/N 62003



OBSOLETE	1.52-2.54 DIA [.060-.100] DIA	[#22-#18] AWG	0.508±0.025 [.020±.001]	△ 2	62112-2
	INSULATION RANGE	WIRE SIZE	MATING TAB THICKNESS	FINISH	62112-1
THIS DRAWING IS A CONTROLLED DOCUMENT.		DWN JR RUTH 5/16/95	TE Connectivity		
DIMENSIONS: mm [INCHES]		CHK MS FEHER 5/16/95			
TOLERANCES UNLESS OTHERWISE SPECIFIED:		APVD P DESANTIS 5/16/95	NAME		
0 PLC ± -		PRODUCT SPEC	RECEPTACLE, FASTON,™ PIGGYBACK, 2.79 [.110] SERIES		
1 PLC ± -		APPLICATION SPEC			
2 PLC ± 0.38 [.015]		WEIGHT -	SIZE	CAGE CODE	DRAWING NO
3 PLC ± -		MATERIAL BRASS	A300779		RESTRICTED TO
4 PLC ± -			C-62112		-
ANGLES ± -		CUSTOMER DRAWING		SCALE 5:1	SHEET 1 OF 1
FINISH SEE TABLE				REV C	